

WINDOW BLINDS INSTALLATION GUIDE

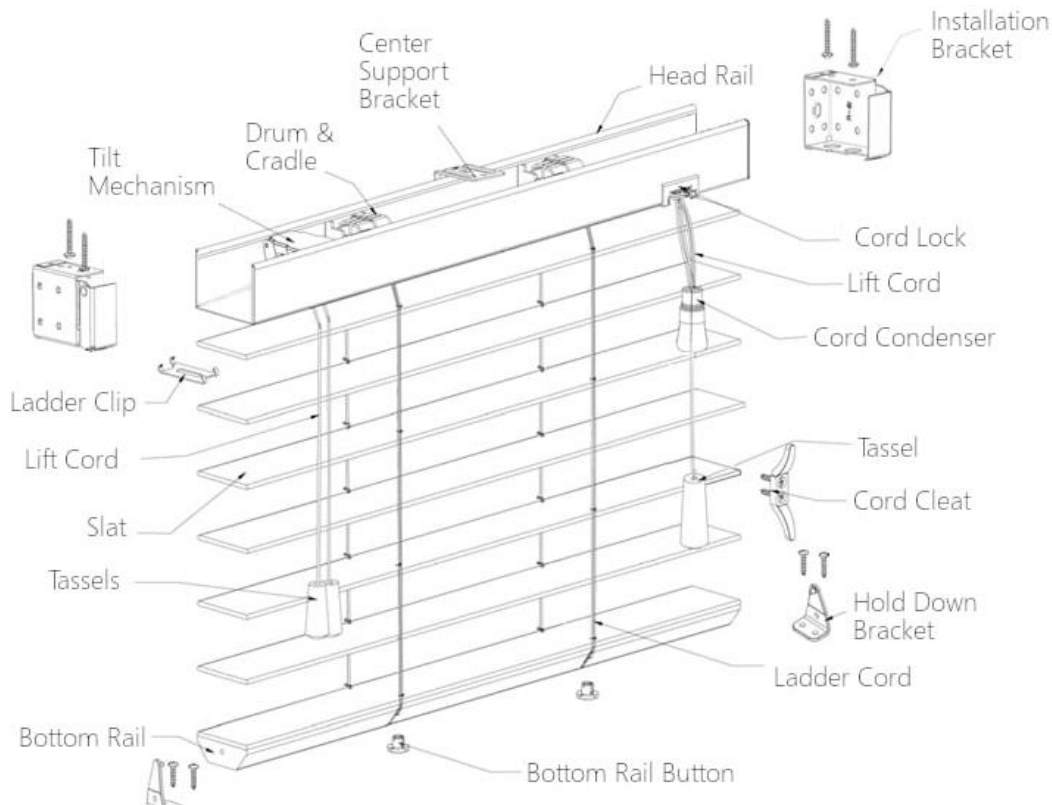


Figure 1.

Inside the accessories box you will find two (2) square brackets. On the inside will be labelled left and right LH/RH, these are the installation brackets. (See Figure 2.)

With the brackets secured to the wall, place the metal headrail within the installation brackets and close the bracket, press until you hear a click.

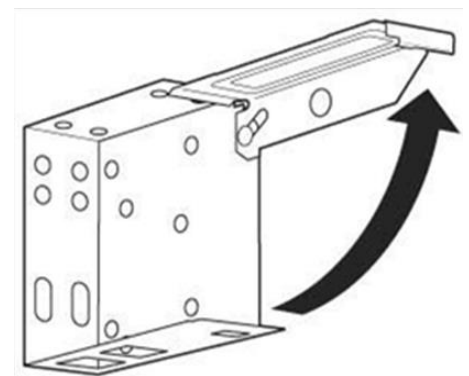


Figure 2.

INSTALLATION OF THE MOULDING

The valance clips slide onto the headrail avoiding any internal parts. Try to space them evenly. They are used to hold the moulding in place. Tilt the moulding to catch the bottom latch of the valance clips and then rotate as shown (Figure 3.) to catch the top latch.

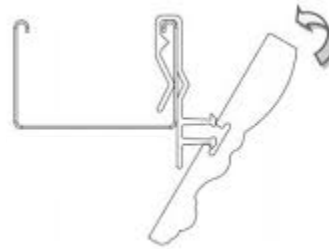


Figure 3.



Figure 4.

The valance should look like Figure 4.

Slide the plastic L-shaped bracket into the groove or channel on the back of the moulding, (Figure 5), Because the L-bracket is form fitted to stay in place, no glue or nails are necessary

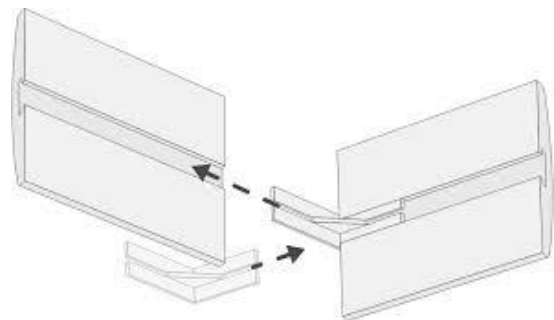


Figure 5.

Congratulations!

You have successfully installed your Damus Building Solutions Window Blinds!